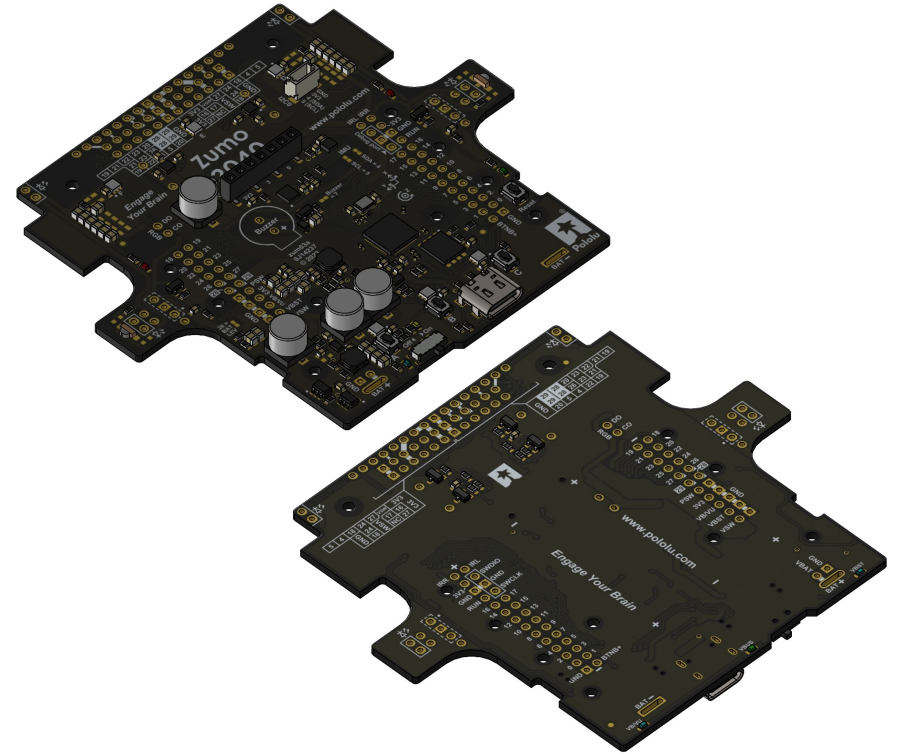
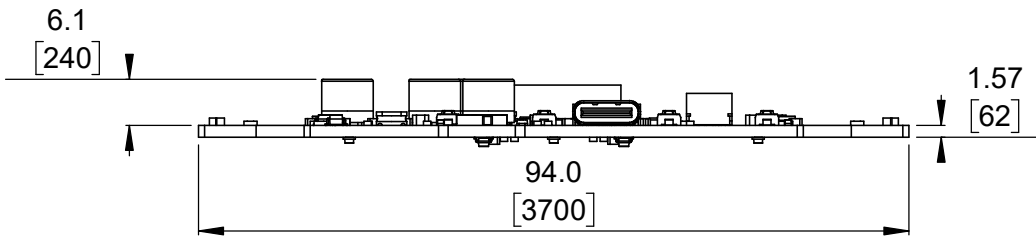


① Top view (actual size)  
Scale 1:1



② Isometric view  
Scale 3:4



③ Long profile  
Scale 1:1

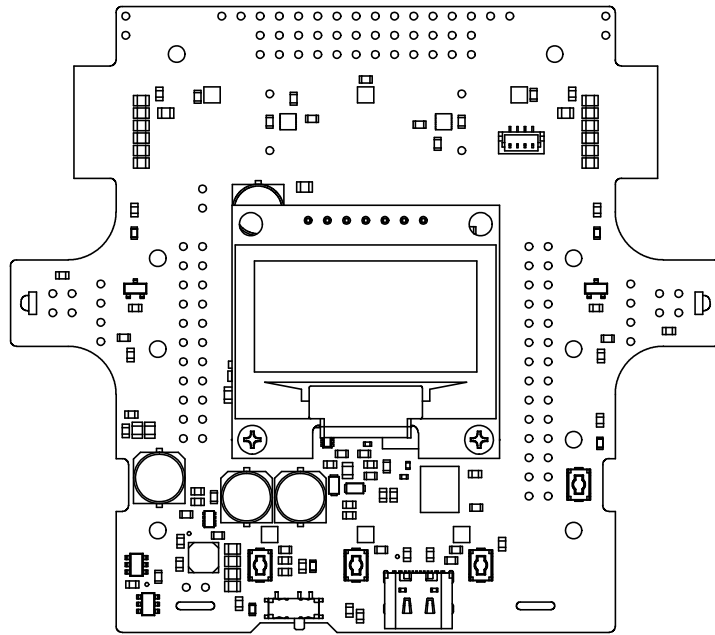


④ Short profile  
Scale 1:1

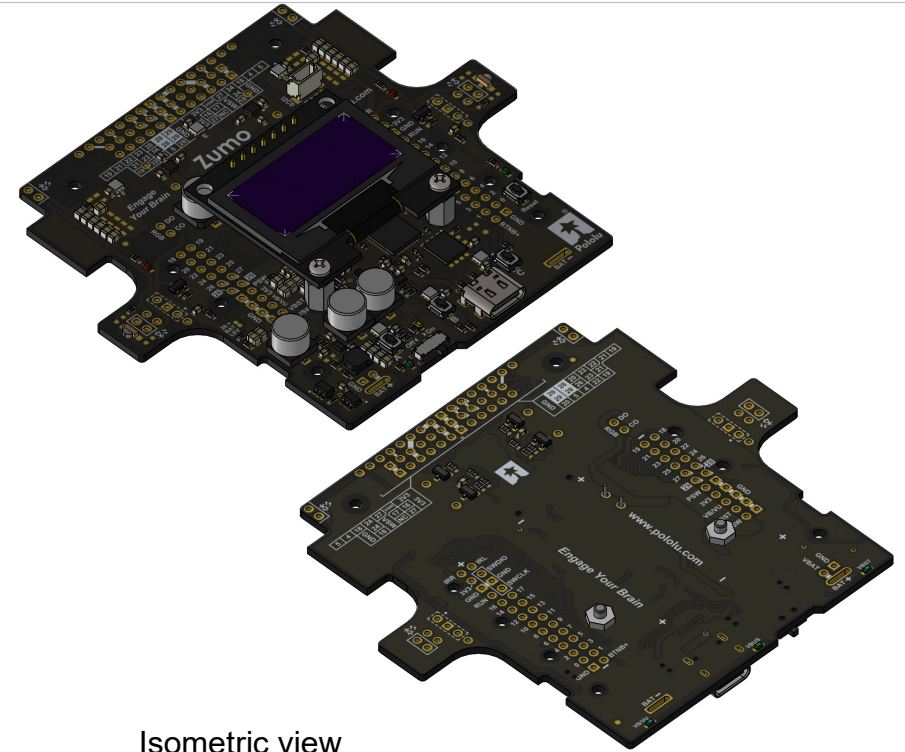
1. To get the specified scale, select 100% in print settings.
2. Drill location tolerance:  $\pm 0.1$  [ $\pm 5$ ].
3. Board edge tolerance:  $\pm 0.3$  [ $\pm 10$ ].

<https://www.pololu.com/product/5014>

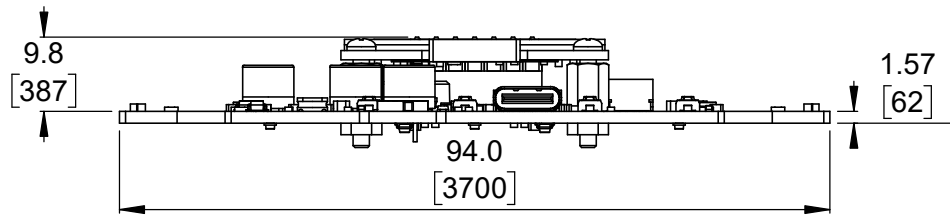
Name: Zumo 2040 OLED Main Board		Item number: 5014
Drawing date: 22 November 2023	Dev code: zum03a	 © 2023 Pololu Corporation
Units: mm [mil]	Material: mixed	



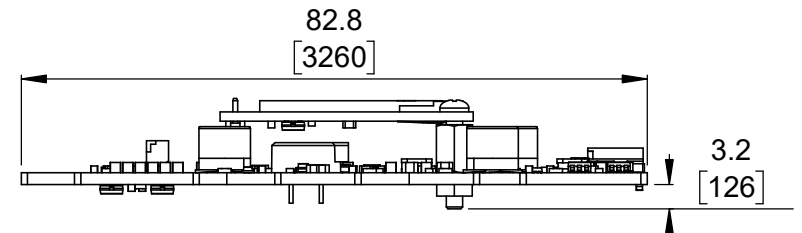
① Top view (actual size)  
(with optional buzzer and OLED display)  
Scale 1:1



② Isometric view  
(with optional buzzer and OLED display)  
Scale 3:4



③ Long profile  
(with optional buzzer and OLED display)  
Scale 1:1



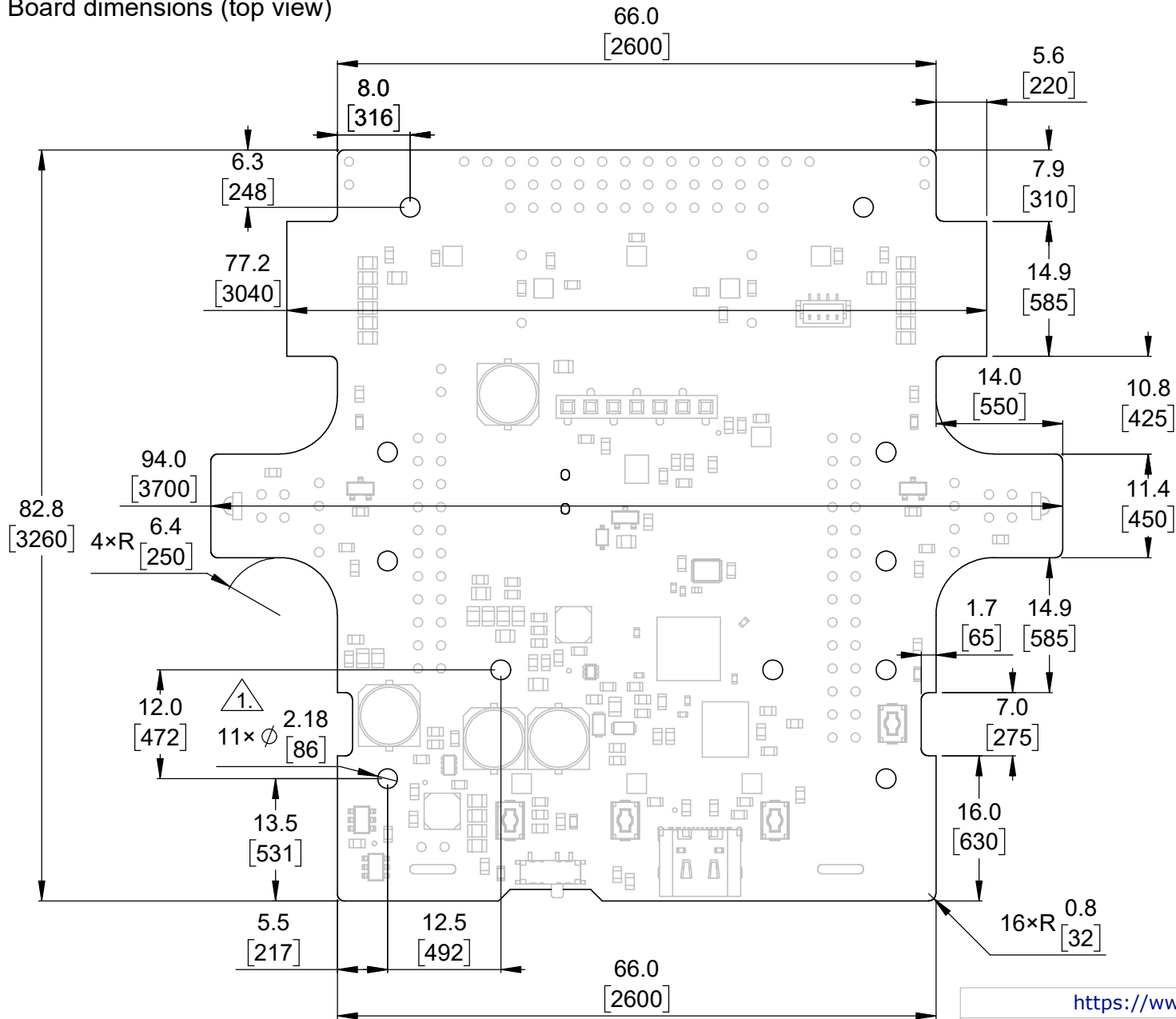
④ Short profile  
(with optional buzzer and OLED display)  
Scale 1:1

1. To get the specified scale, select 100% in print settings.
2. Drill location tolerance:  $\pm 0.1$  [ $\pm 5$ ].
3. Board edge tolerance:  $\pm 0.3$  [ $\pm 10$ ].

<https://www.pololu.com/product/5014>

Name: Zumo 2040 OLED Main Board		Item number: 5014	
Drawing date: 22 November 2023	Dev code: zum03a	 © 2023 Pololu Corporation	
Units: mm [mil]	Material: mixed		

Board dimensions (top view)



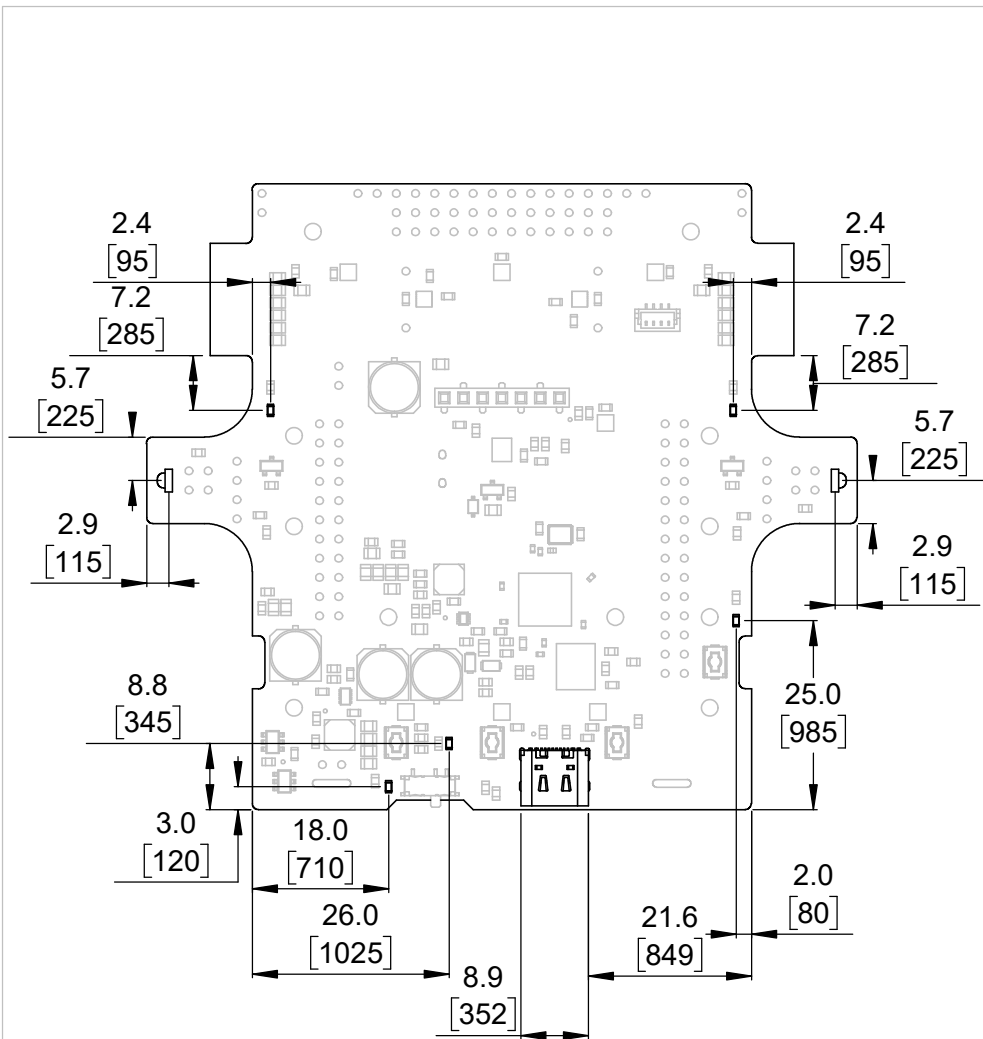
1. Intended for #2 and M2 screws.
2. To get the specified scale, select 100% in print settings.
3. Drill location tolerance:  $\pm 0.1$  [ $\pm 5$ ].
4. Board edge tolerance:  $\pm 0.3$  [ $\pm 10$ ].

Scale 3:2

<https://www.pololu.com/product/5014>

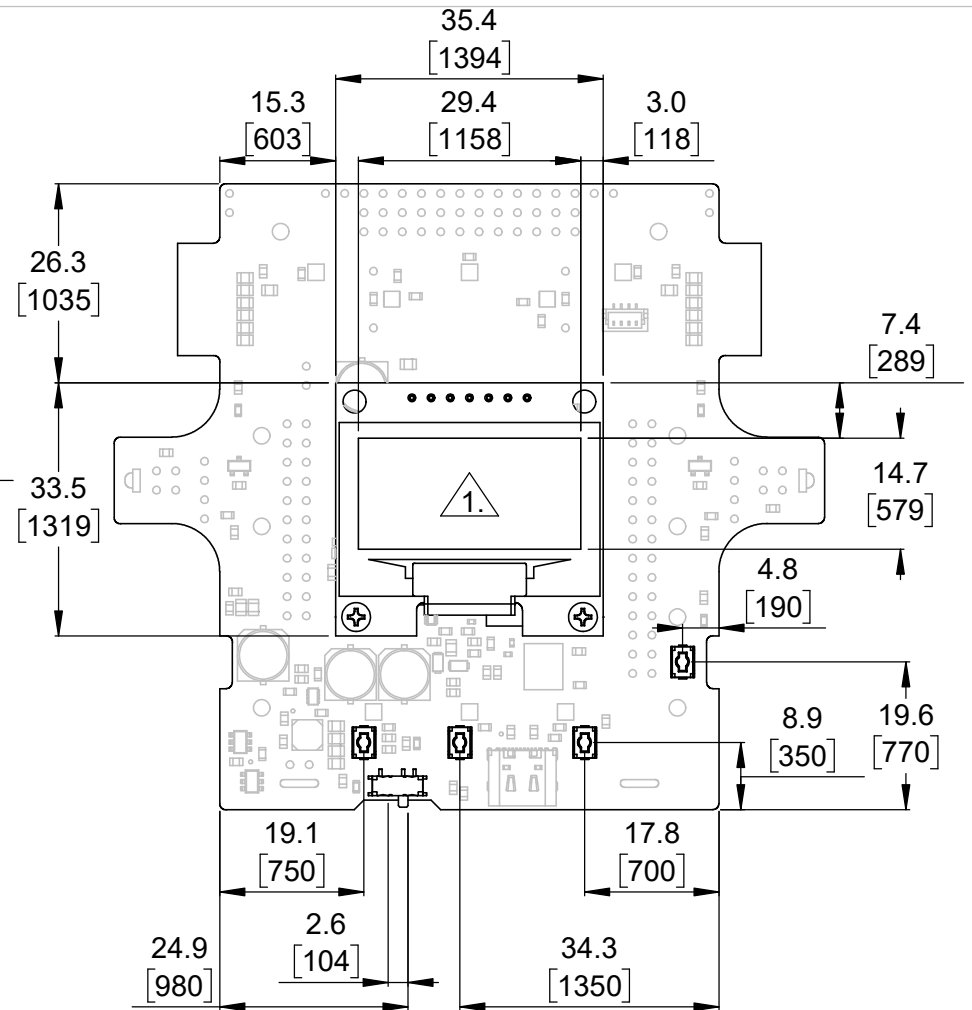
Name: Zumo 2040 OLED Main Board		Item number: 5014	
Drawing date: 22 November 2023		Dev code: zum03a	
Units: mm [mil]		Material: mixed	

**Pololu**  
Robotics & Electronics  
© 2023 Pololu Corporation



① User interface elements

Scale 1:1



② User interface elements (with OLED display)

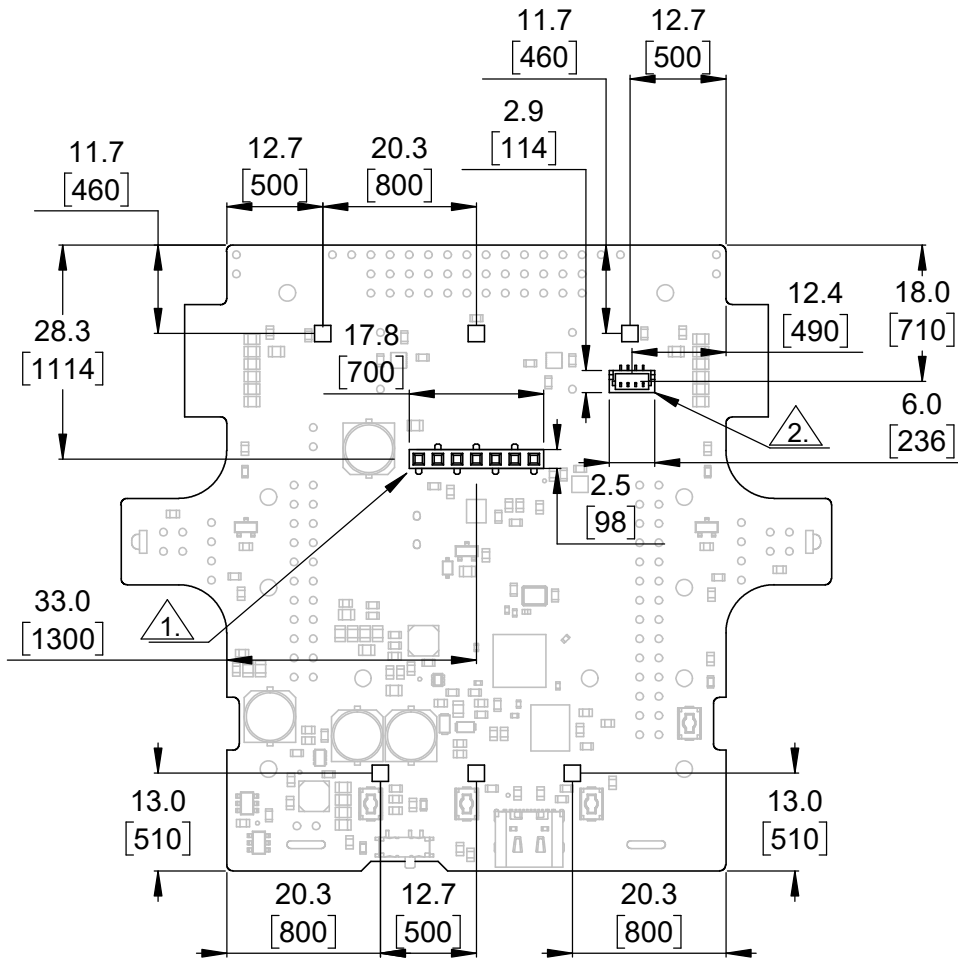
Scale 1:1



1. OLED display active area (1.3" diagonal).
2. To get the specified scale, select 100% in print settings.
3. Drill location tolerance:  $\pm 0.1$  [ $\pm 5$ ].
4. Board edge tolerance:  $\pm 0.3$  [ $\pm 10$ ].

<https://www.pololu.com/product/5014>

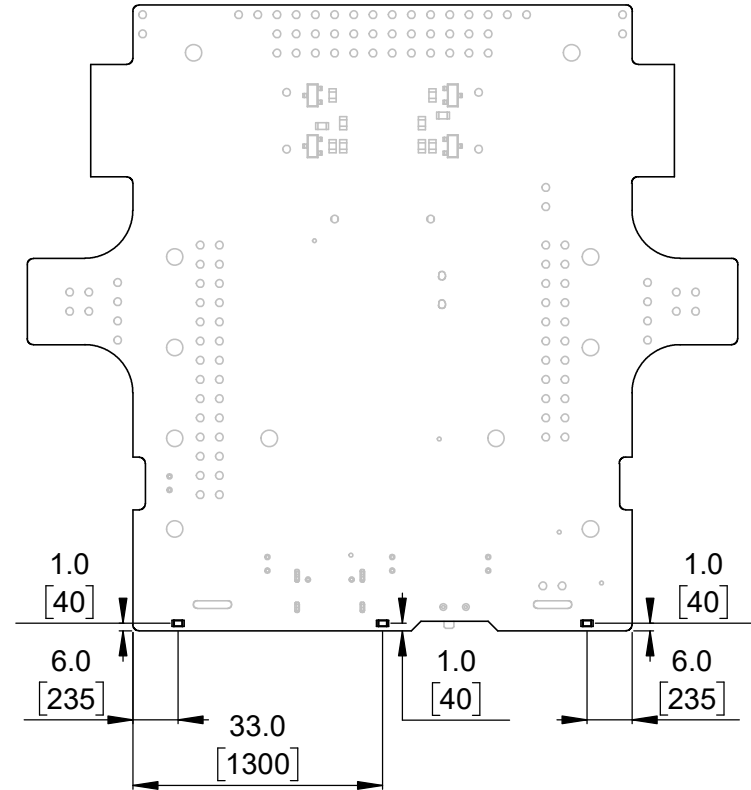
Name: Zumo 2040 OLED Main Board		Item number: 5014
Drawing date: 22 November 2023	Dev code: zum03a	 © 2023 Pololu Corporation
Units: mm [mil]	Material: mixed	



Addressable LEDs and connectors  
(top view)

1

Scale 1:1



LEDs (bottom view)

2

Scale 1:1



1. 7-pin low-profile female header, 2.54 mm [100 mil].



2. Top-entry, 4-pin male JST SH-type connector.

3. Grid lines indicate 2.54 mm [100 mil] spacing.
4. To get the specified scale, select 100% in print settings.
5. Drill location tolerance:  $\pm 0.1$  [ $\pm 5$ ].
6. Board edge tolerance:  $\pm 0.3$  [ $\pm 10$ ].

<https://www.pololu.com/product/5014>

Name:

Zumo 2040 OLED Main Board

Item number:

5014

Drawing date:

22 November 2023

Dev code:

zum03a

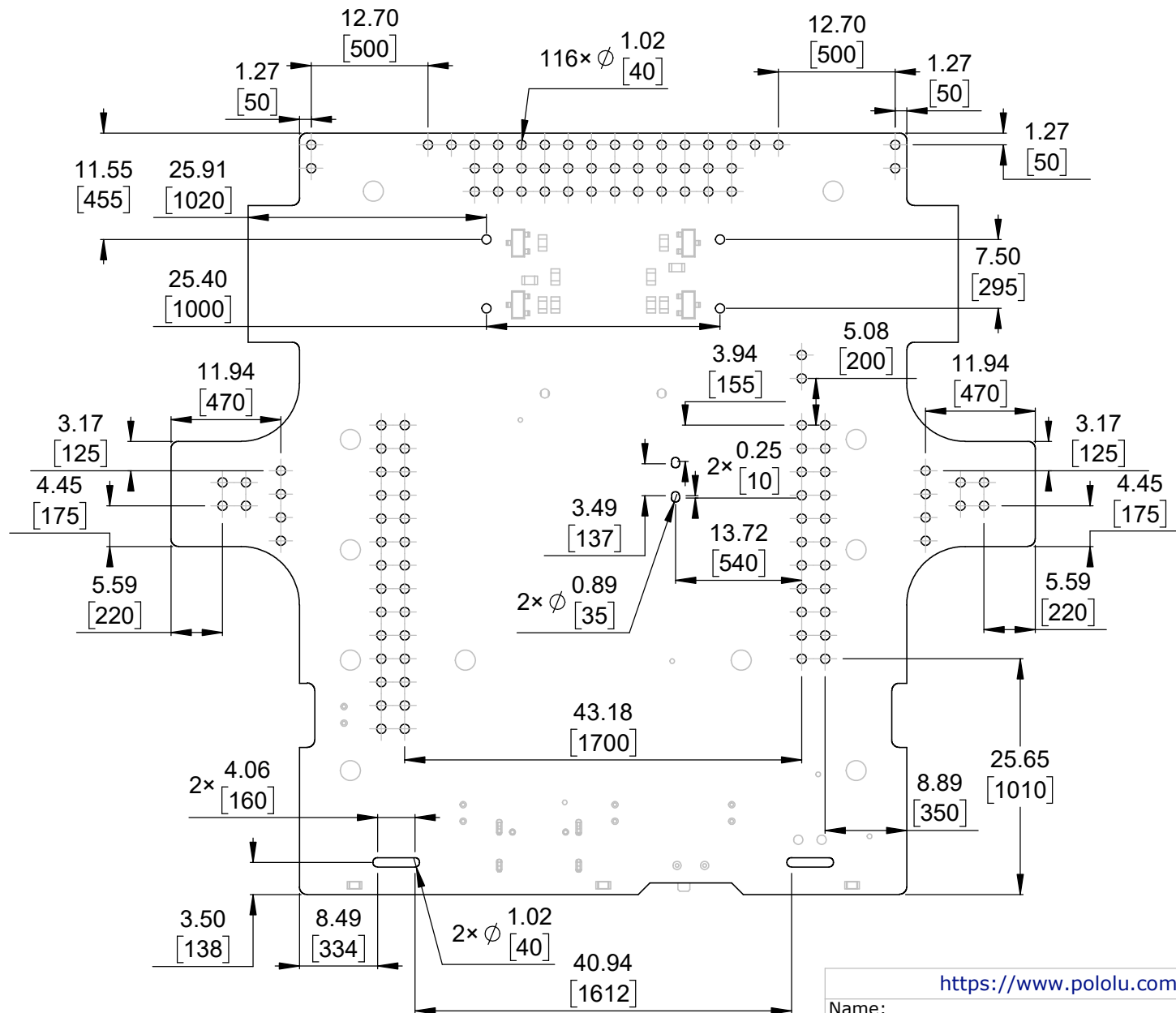
Units: mm  
[mil]

Material:

mixed

  
© 2023 Pololu Corporation

# Connector callouts (bottom view)



1. Grid lines indicate 2.54 mm [100 mil] spacing.
2. To get the specified scale, select 100% in print settings.
3. Drill location tolerance:  $\pm 0.1$  [ $\pm 5$ ].
4. Board edge tolerance:  $\pm 0.3$  [ $\pm 10$ ].

Scale 3:2

<https://www.pololu.com/product/5014>

Name: Zumo 2040 OLED Main Board		Item number: 5014
Drawing date: 22 November 2023	Dev code: zum03a	 © 2023 Pololu Corporation
Units: mm [mil]	Material: mixed	