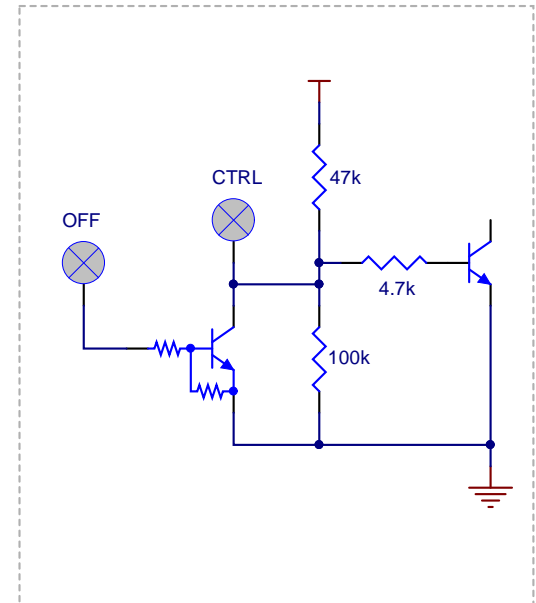
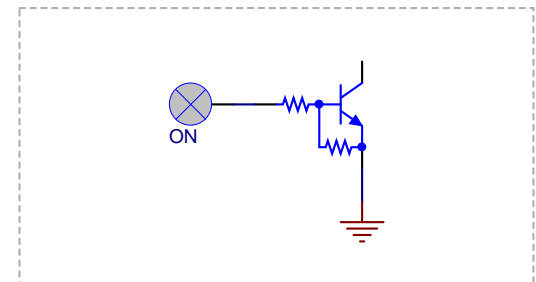


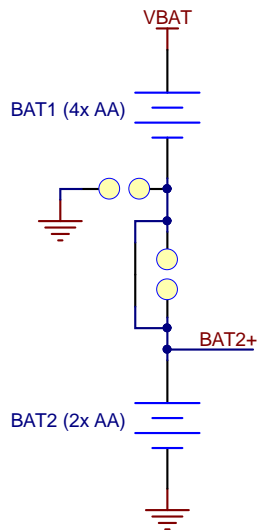
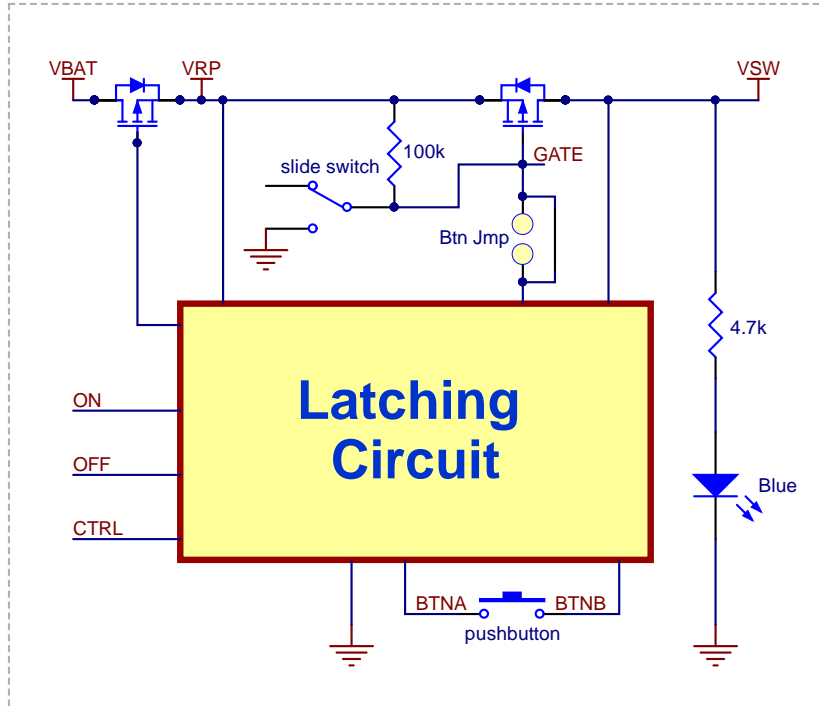
Input structure of OFF and CTRL inputs



Input structure of ON input



Simplified switch schematic



**Latching  
Circuit**